

# IntelliBrite®

Underwater Color-Changing Lights  
By Pentair Water Pool and Spa®



*Introducing new LED lighting  
from Pentair Water Pool and Spa*

# A breakthrough in color lighting drama and versatility

IntelliBrite®\* automated color-changing pool and spa lights feature LED technology—the wave of the future in energy-efficiency, lifetime value, quality of light, and the ability to control it.

With IntelliBrite, combinations of individual colored LEDs are mixed and matched to achieve a vibrant spectrum of colors. These combinations are power sequenced to illuminate and cycle through colors at varying speeds, and in different sequences of color. Combined with a custom reflector and unique lens design, the IntelliBrite is the brightest and most efficient underwater LED light available.

\*Patent Pending

## Fixed Color Choices



The result is a virtually endless range of dramatic underwater lighting effects at your command. Poolside nights go from great to spectacular.

- Set one of 5 predetermined fixed colors to match or create the mood for the evening... and change it at will.
- Select from 7 popular "color shows" that come pre-programmed into IntelliBrite. Selections include slow scrolls through various color ranges for a mesmerizing and calming routine, to rapid-fire color changes that build energy and excitement for your evening.
- Enjoy the even distribution of the brightest LED light in the market combined with a custom reflector and lens designed to eliminate glare and "hot spots."

## Standard Light Shows



**SAm Mode:**  
Cycles through the color spectrum of the SAm® light



**Party Mode:**  
Rapid color changing builds energy and excitement



**Romance Mode:**  
Slow transition for a mesmerizing and calming routine



**California Sunset Mode:**  
Dramatic transitions of orange, red and magenta tones



**American Mode:**  
Patriotic red, white and blue transition

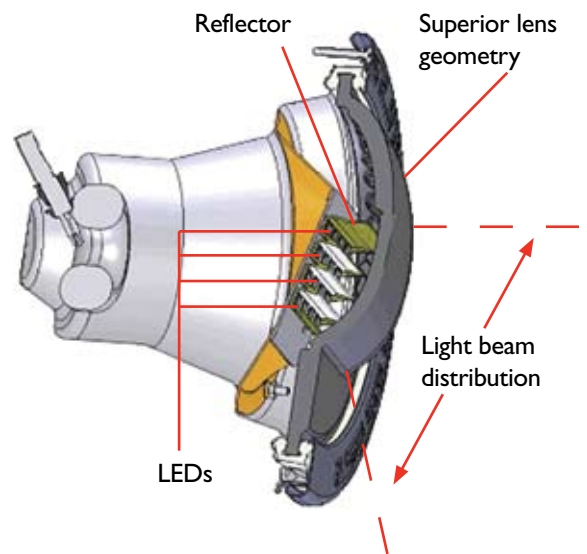


## No other LED light offers the brightness or freedom of IntelliBrite

Pentair engineers have raced past competing LED lights a number of ways.

- IntelliBrite technology makes use of the brightest LEDs available.
- A superior reflector design assures more light is directed toward the pool bottom to further increase intensity and color effects, while minimizing glare.
- Superior lens geometry distributes light in an optimum way to avoid “hot spots” on the pool bottom. Light intensity and color are distributed more uniformly throughout your pool.
- IntelliBrite allows a greater number of standard light programs and greater ability to create your personal, magical light shows.
- IntelliBrite works with IntelliTouch® or EasyTouch® control systems, the ultimate choices in pool, spa and poolscape equipment automation. In effect you transfer programming and control of IntelliBrite to a central system that controls all your other backyard and pool features.

IntelliBrite is clearly the new standard in color-changing underwater lighting creativity and value.



Drawing shows unique lens and reflector designs which combine to provide superior light beam distribution.



### Caribbean Mode:

Transitions between a variety of blues and greens



### Royal Mode:

Cycle that selects only rich, deep tones of color

UL listed only when using Pentair niches for use in swimming pools, spas and water fountains.



# Why IntelliBrite® Lights are the “Greenest” Choice



## An Eco Select™ Choice

LED (Light Emitting Diode) pool and spa lights are the most energy-efficient pool and spa lighting option available. Plus, they can last 30,000 hours or more, minimizing replacement cost and disposal. That's why IntelliBrite® lights are an Eco Select Choice.

The Eco Select™ brand identifies our “greenest” and most efficient equipment choices. These products save energy, conserve water, eliminate noise, or otherwise contribute to a more environmentally responsible equipment system.

As the global leader in pool and spa equipment manufacturing, we strive to provide greener choices for our customers. We hope you'll join us in embracing more eco-friendly poolsapes by choosing Eco Select products for your swimming pool.

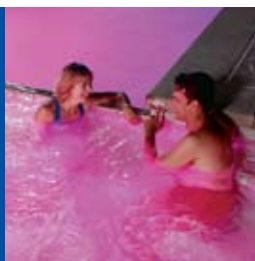
### **LED lights use the least amount of energy of all lighting options**

- IntelliBrite pool lights need only 37 watts to create the same light output as traditional incandescent and halogen pool lights do at 161 watts—more than 75% less! And IntelliBrite spa lights use only 23 watts for the same light output compared to 47 watts for traditional lights.

### **LED lights are more durable and can last 6 years or more**

- The life of an IntelliBrite LED is approximately 30,000+ hours compared to only 5,000 hours for traditional incandescent light bulbs.
- Cool running LED lights are durable, solid state technology with no internal filament to wear out.
- Unlike many LED pool lights, the IntelliBrite lights continue to work even when a single LED fails.

### **Available from:**



Pentair Pool Products® 800.831.7133  
www.pentairpool.com

Sta-Rite® 800.831.7133  
www.staritepool.com

pumps / filters / heaters / heat pumps / automation / lighting / cleaners / sanitizers / maintenance products

