



Triton® C Series

Commercial Sand Filters



For commercial and high-end residential swimming pools and other water applications. Available in flow rates from 98 to 141 gallons per minute.

Triton® C and C-3 sand filters are designed for high efficiency and easy maintenance in high capacity commercial pool applications. A unique internal design levels the sand bed and produces an even water flow for the most efficient filtration possible. Our multi-diffuser system and slotted layer design gives the Triton C superior filtration capacity and flow for longer cycles between cleanings, which significantly reduces operating costs. Three-inch bulkheads (C-3 models) cut friction loss in half, and flanged connections don't require special adapters. And the Triton C Series is engineered with single-piece tanks for superior strength, and made from the toughest materials available to withstand harsh chemicals and weather.

Capable of increased flow rates to 20 gpm per square foot of filter media, these filters are ideal for commercial applications and tandem installations when several filters are required.

Standard Features

- 2" and 3" plumbing connections for maximum flow.
- 2" drains for easy winterizing.
- C and C-3 available in 30" and 36".
- Can be combined for tandem installation.
- NSF Listed.

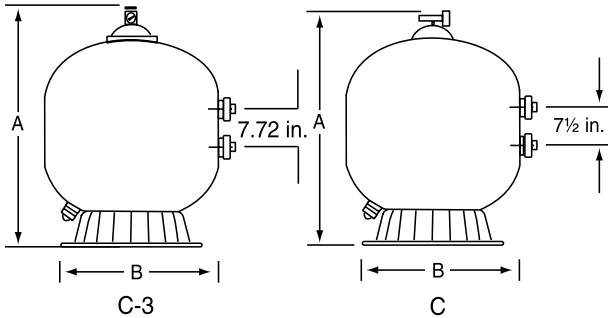
Triton[®] C Series

Commercial Sand Filters



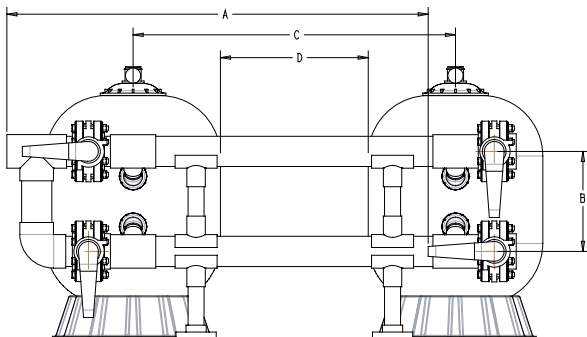
Triton HD

The Triton[®] Heavy Duty (HD) filter is a thirty-inch fiberglass filter that offers a maximum operating pressure of 75 PSI. This filter is specifically designed for special high-pressure commercial applications that require up to 98 gpm, and is ideal for all heavy-duty commercial applications.



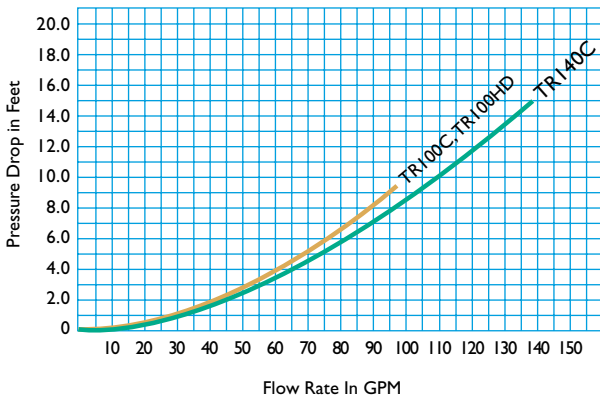
Triton Commercial Series Sand Filter Specifications

Model Number	Filter Area Sq Ft.	Flow Rate 20 GPM/sq. ft.	Turnover Capacity Gallons		Dimension		Media Required	
			6 Hours	8 Hours	A	B	Sand	Sand/Gravel
TR100C	4.91	98	35,280	47,040	39 1/4"	30"	600 lbs.	450 lbs./150 lbs.
TR140C	7.06	141	50,760	67,680	45 1/4"	36"	925 lbs.	650 lbs./275 lbs.
TR100C3"	4.91	98	35,280	47,040	39 3/4"	30"	600 lbs.	450 lbs./150 lbs.
TR140C3"	7.06	141	50,760	67,680	45 1/4"	36"	925 lbs.	650 lbs./275 lbs.



Two Filter System	A	B	C	D	Total Wt.
3" – TR100C	82 3/4"	17 15/16"	48" Min.	18" Min.	2,300 lbs.
3" – TR140C	88 3/8"	17 15/16"	54" Min.	18" Min.	3,200 lbs.
4" – TR140C	95 3/4"	19 35/64"	54" Min.	18" Min.	2,300 lbs.
6" – TR140C	111 3/4"	24 7/32"	54" Min.	18" Min.	3,550 lbs.

* 6" piping needs to be rotated upward as shown at 25° so handle will clear the floor.



1620 Hawkins Avenue
Sanford, NC 27330
Phone: 800-831-7133
www.pentairpool.com